



DEALERS & IMPORTERS OF POWER PLANTS & ALLIED MACHINERY

402, 4th Floor, Bezzola Commercial Complex, V.N. Purav Marg, Sion Trombay Road, Chembur, Mumbai – 400071, INDIA.

Tel: Off : +91 22 2523 4478 / 67973677
Fax : +91 22 2523 5386
E mail : enquiry@corponit.com
Website : www.corponit.com

TECHNICAL DETAILS & PHOTOGRAPHS FOR 1 NO. 10 MW GAS FIRED GENERATOR

Hesme 10Mw / 50Hz P & W Power Pac Installation



Well maintained equipment.

Remote controlled and operated on a quarterly basis for peakloads and emergency.

1 unit	10 MW	Commissioned	1965, TTSN 5830h
Gas Generator	Pratt & Whitney JT3C-6		
Power Turbine	ABB Stal 88-3, 3000 rpm		
Generator			ASEA GTA 65/125, 50hz
			1965 1 unit 11,2 MW Peak +10C
Voltage			10.5 kV

Technical specification.

Output peak load	12 MW
Output base load	10 MW
Fuel	Liquid, diesel quality or Jet fuel
Heat rate	13 600 Btu/kWh
Main transformer, only two available	10.5/30 kV
Thermal efficiency	abt 26%

Operating data

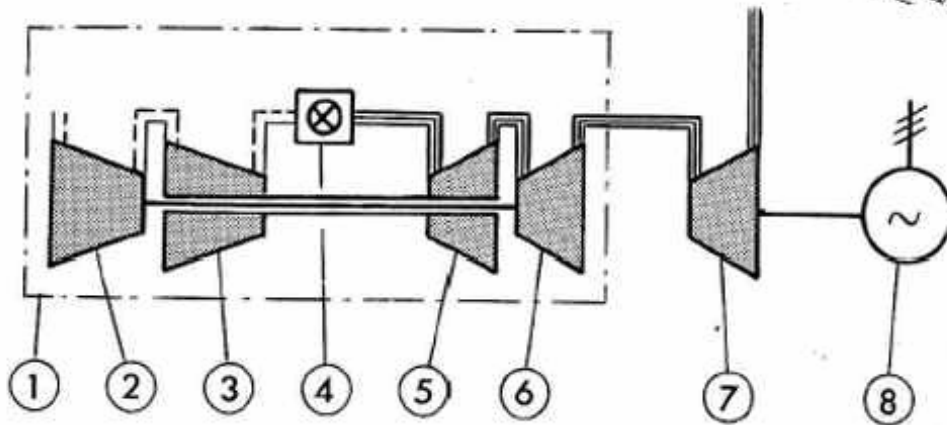
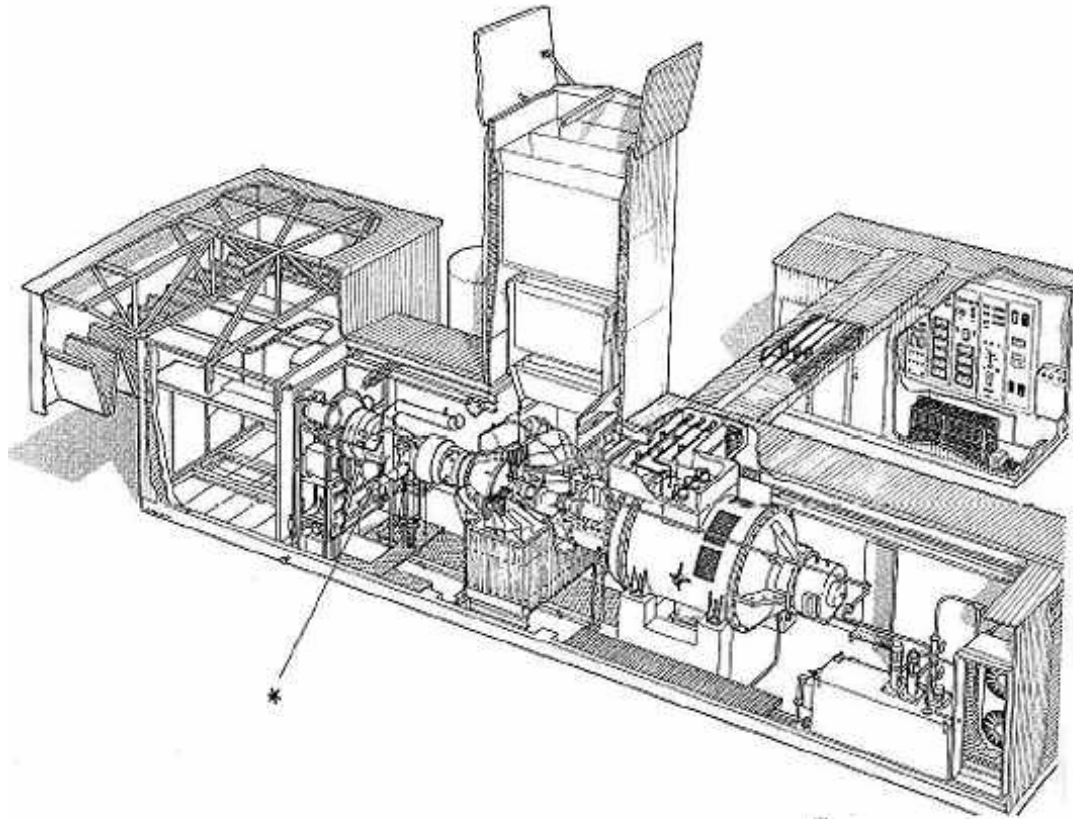
Operated hours	5470h – 8380h
Starts	480 – 515 nos

All units are under power and can be fired up remote controlled.

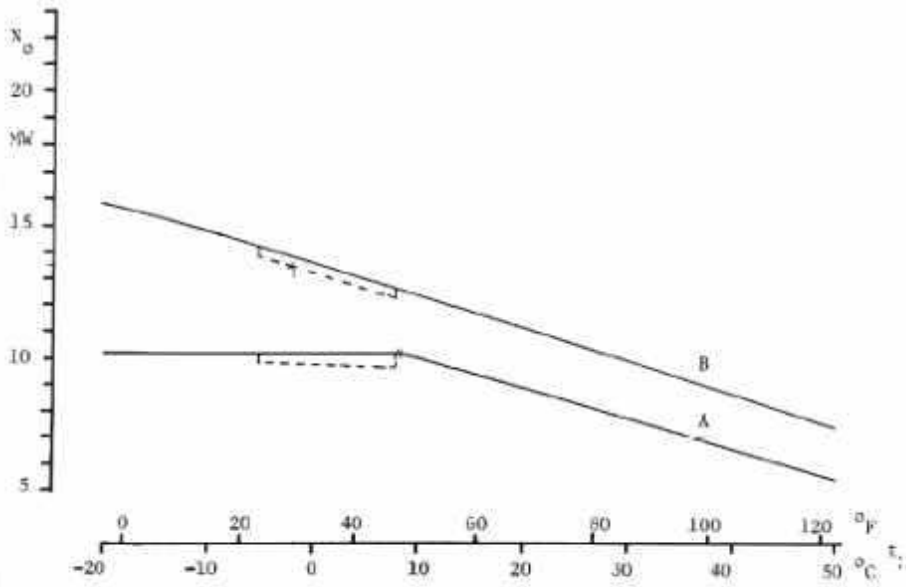
Complete plant with auxiliaries.







M

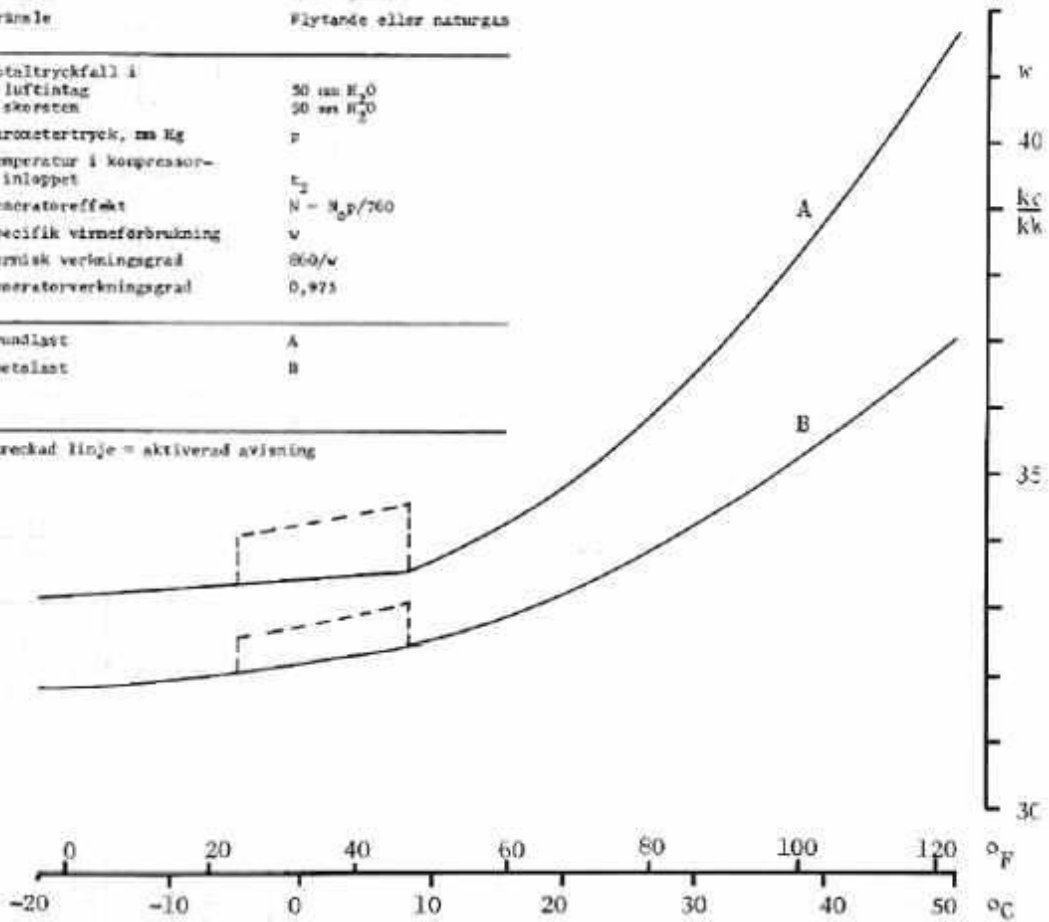


Gasgenerator	PW JT3C-6
Kraftturbin	STAL-LAVAL 5930-36 B
Varvtal	3000 v/min
Bränsle	Flytande eller naturgas

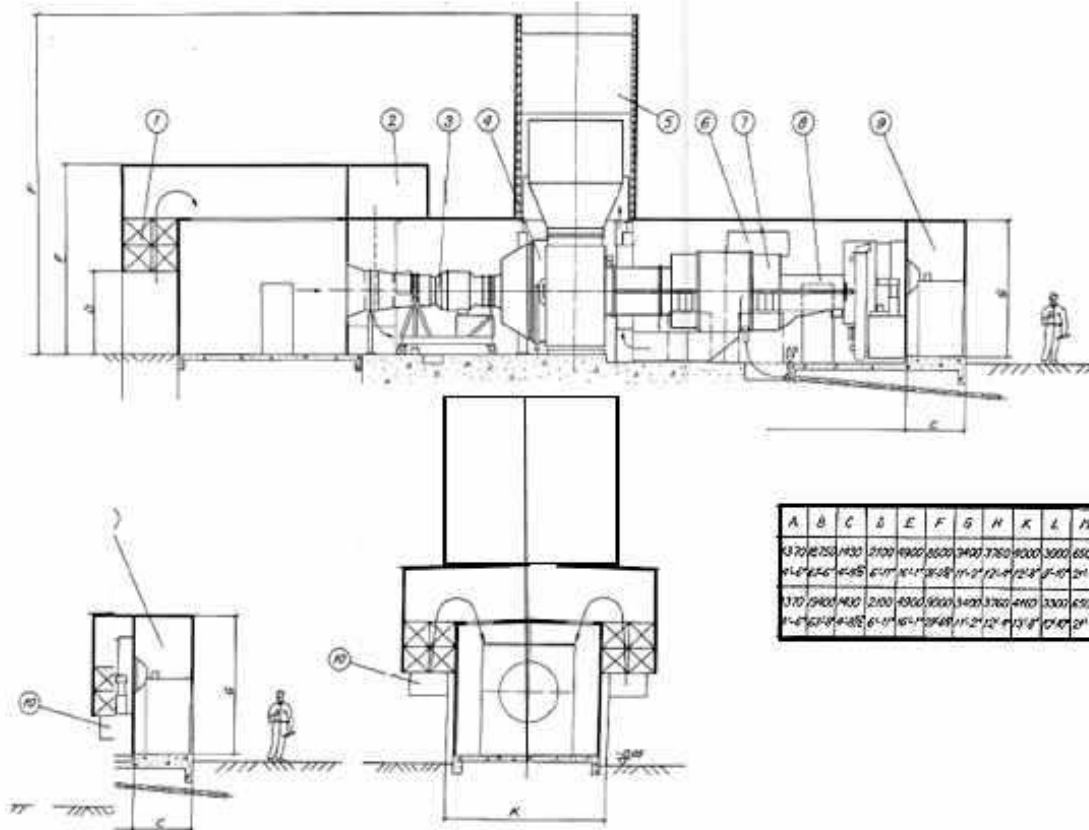
Totaltryckfall i luftintag skroten	50 mm H ₂ O 50 mm H ₂ O
Barometertryck, mm Hg	P
Temperatur i kompressor- inläppet	t_2
Generatoreffekt	$N = N_0 P / 760$
Specifik värmeåterförbrukning	v
Termisk verkningsgrad	86,0%
Generatorverkningsgrad	0,975

Grundlast	A
Spetslast	B

Sträckad linje = aktiverad avvisning



STAL-LAVAL
STAL-LAVAL TURBIN AB



MITIN COK